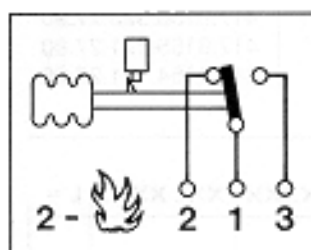


# Ex Indu-Limistat

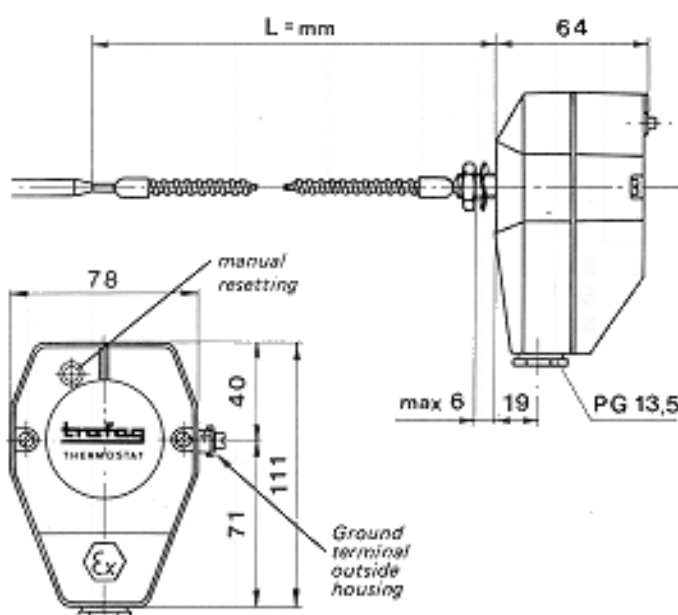
## Explosion-proof temperature limiter for surface mounting

### Connections



PTB Ex - 81 / 1078

### Dimensions



### Specifications

Ex - Limiter for increasing temperature

Temp. class	Range in °C	Sensor max. °C	Switch Type	Resetting differential K (°C)	Ambient temperature °C max.
T 6	-30 ... +40	45	91	~ 2,5	-30 ... +55
	-10 ... +25	50			
	0 ... +35	50			
	+15 ... +30	60			
	+10 ... +45	85			
	+10 ... +70	85			
T 5	+10 ... +80	100	91	~ 3,5	-30 ... +55
	+20 ... +85	100			
T 4	-10 ... +35	50	91	~ 5,5	-30 ... +55
	-10 ... +80	85			
	+ 5 ... +95	105			
	+20 ... +110	115			
T 3	+20 ... +115	130	91	~ 8,0	-30 ... +55
	+20 ... +150	165			
T 2	+35 ... +175	200	91	~ 10,0	-30 ... +55
	+20 ... +230	250			
T 1	+20 ... +270	330	91	~ 10,0	-30 ... +55
	+40 ... +300	330			
T 1	+70 ... +350	380	91	~ 10,0	-30 ... +55
	+70 ... +350	380			

### Single stage temperature limiter with manual resetting

- ◆ Robust aluminium die cast housing, epoxy coated
- ◆ Protection IP 65
- ◆ Any mounting position possible
- ◆ Electrical connection to three point terminal inside housing
- ◆ Internal or external set point adjustment
- ◆ Accuracy  $\pm 2\%$  of full scale
- ◆ Repeatability  $< \pm 0.5\%$  of full scale
- ◆ Capillary protected by metal tube
- ◆ Temperature setting can be sealed
- ◆ EEx ed II C T6



Type 417, 412

### Microswitch ratings

Working category AC 1  
(IEC 158-1)

5 A to 250 V

Working category DC 1  
(IEC 158-1)

5 A to 30 V  
0.5 A to 125 V  
0.25 A to 250 V

### Flame protection type

- EEx** European norm  
**e** Improved security  
**d** Pressure proof enclosure  
**II** Electrical instrument for hazardous areas except firedamp protection  
**C** Greatest gap length and smallest gap width  
**T6** Max. surface temperature 85 °C (includes all classes T 1 to T6)

**Standard types** (see standard catalogue)

with Mounting 27, Capillary length 2 m

Range in °C	Temp.-class	Sensor	Order number	Type
+20 ... +115	T 4	323 (7 x 128 mm, copper, nickel plated)	EXS 115 R	417.9157.323.27.90
+35 ... +175	T 3	323 (7 x 128 mm, copper, nickel plated)	EXS 175 R	417.9156.323.27.90
+20 ... +270	T 2	121 (7 x 88 mm, 1.4435 / 316 L)	EXS 270 SR	417.9155.121.27.90
+70 ... +350	T 1	121 (7 x 88 mm, 1.4435 / 316 L)	EXS 350 SR	417.9154.121.27.90

**Customized versions**
**complete ordering reference**

XXX . XX XX . XXX . XX . XXXX . XXXX . XX . XX ... L =

Type	for increasing temp.	External resetting	normal	417
			compens.	412
	for increasing temp.	Internal resetting	normal	415
			compens.	410

Switch 5 A, 250 V AC 91

Range in °C							
-30 ... +40	01	-10 ... +80	95	+10 ... +70	T6	59	
-10 ... +25	07	+ 5 ... +95	20	+20 ... +85	T5	58	
0 ... +35	09	+20 ... +110	23	+20 ... +115	T4	57	
+10 ... +45	11	+20 ... +150	31	+35 ... +175	T3	56	
+10 ... +80	13	+20 ... +230	24	+20 ... +270	T2	55	
+15 ... +30	17	+40 ... +300	53	+70 ... +350	T1	54	
-10 ... +35	94	+70 ... +350	54				

**Sensor** (see also leaflet 1.1.20.1)

for range No.	mm φ	Cr/Ni/Mo 1.4435	Copper	Copper nickel pl.	Copper chrom pl.
01, 07, 09 11, 13, 17	4.7 7 9	421	412 422 432	413 423 433	414 424 434
94, 95, 20 23, 31	4.7 7 9	311 321 331	312 322 332	313 323 333	314 324 334
24, 53, 54	4.7 7 9	111 121 131	112 122 132	113 123 133	114 124 134

**Mounting** Possible No. with free capillary tube: 10, 16, 17, 27  
 Dimensions and ordering reference see page 1.1.21.1  
 Possible No. with protection tube mounting: 12, 14, 18  
 Dimensions and ordering reference see page 1.1.21.2

**Protection tube** for thermostats with free capillary tube 1.1.22.2 / 1.1.22.4  
 for thermostats with direct protection tube mounting 1.1.22.1 / 1.1.22.3

**Protection tube length in mm** see leaflet 1.1.22.1 to 1.1.22.4

**Accessories**

Metal tube, Capillary tube protection (PTB-prescript) Stainless steel 1.4541 (321) 91

Capillary nuts see page 1.1.23.1

(to be added in random order)

**Capillary length L in mm** (upto 5000 mm) No indication if direct protection tube mounting is requested !