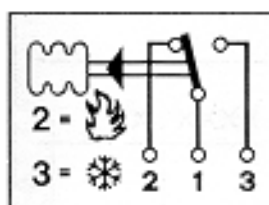


Ex Indu - Ambistat

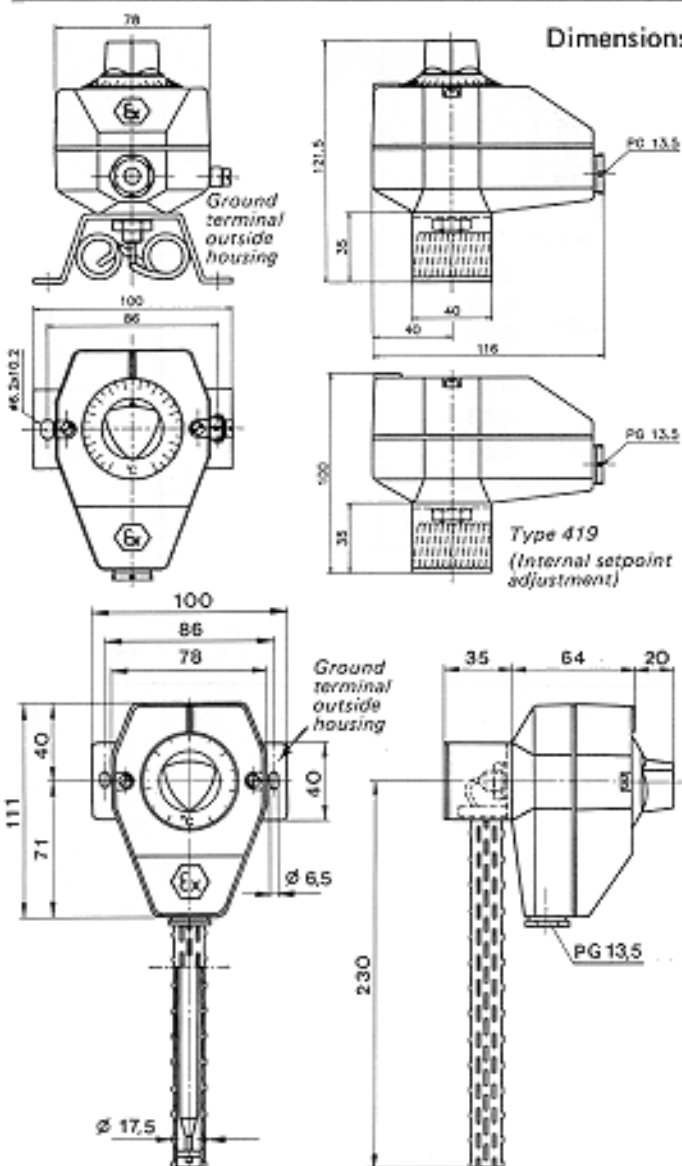
Explosion-proof ambient temperature controller for surface mounting

Connections



PTB Ex - 81 / 1078

Dimensions



Single stage temperature controller

- ◆ Robust aluminium die cast housing, epoxy coated
- ◆ Protection IP 65
- ◆ Short response time
- ◆ Small switching differentials
- ◆ Internal or external set point adjustment
- ◆ Accuracy $\pm 2\%$ of full scale
- ◆ Repeatability $< \pm 0.5\%$ of full scale
- ◆ EEx ed II C T6

Type 409



with protection tube 2743



Type 419



Microswitch ratings

Working category AC 1
(IEC 158-1)

5 A to 250 V

Working category DC 1
(IEC 158-1)

5 A to 30 V
0.5 A to 125 V
0.25 A to 250 V

Flame protection type

- EEx** European norm
e Improved security
d Pressure proof enclosure
II Electrical instrument for hazardous areas except firedamp protection
C Greatest gap length and smallest gap width
T6 Max. surface temperature 85 °C (includes all classes T 1 to T6)

Specifications

Range in °C	Ambient temperature °C max.	Switch Type No.	Switching diff. K (°C)
-30 ... +30	-30 ... +40	91	~ 2,5
-20 ... +40	-30 ... +50		
+ 5 ... +35	-30 ... +50		

Standard types (see standard catalogue)

with coiled sensor	Range in °C	Type	Set point adjustment internal Order number
	-30 ... +30	419.9102.523.27	EXAS 33
	+ 5 ... +35	419.9110.523.27	EXAS 35
	0 ... +60	419.9112.523.27	EXAS 60

Customized versions

complete ordering reference

XXX . XXXX . XXX . XX . XXXX . XXXX . XX .

Type	External setting	409					
	Internal setting	419					
Switch	5 A, 250 V AC		91				
Range in °C		-30 ... +30		02			
		+ 5 ... +35		10			
		0 ... +60		12			
Sensor	Copper	(Coiled sensor)	without	522			
	Copper	nickel plated (Coiled sensor)	protection tube	523			
	Copper	chrom plated (Coiled sensor)		524			
	Copper	(for protection tube 2743)		422			
	Copper	nickel plated (for protection tube 2743)		423			
	Copper	chrom plated (for protection tube 2743)		424			
Mounting	with bracket				27		
Schutzrohr	(only for sensor 422, 423, 424)					2743 . 0215	
Accessories	Set point blocking (only for type 419)						15